

NJ308E.M3

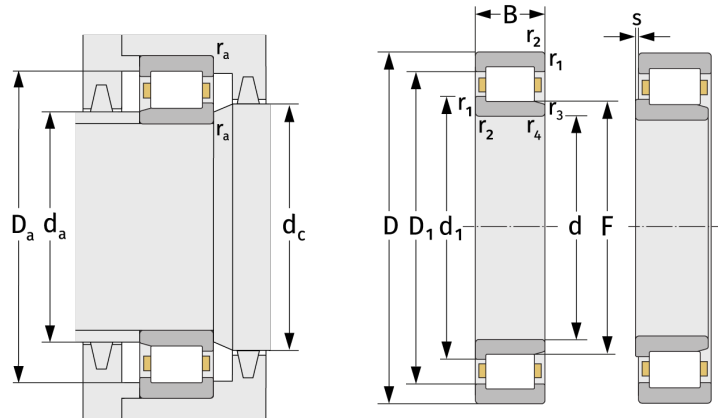
Cylindrical Roller Bearings (single row, with cage)



Details:

Main dimensions

d [mm]	40	d ₁ [mm]	≈ 57.6
D [mm]	90	D ₁ [mm]	≈ 74.4
B [mm]	23	r _{1,2} [mm]	1.5
Weight [kg]	≈ 0.752	r _{3,4} [mm]	1.5
F [mm]	52	s [mm]	2.5



Mating dimensions		Calculation data	
d _{a, min} [mm]	49	C [kN]	82.5
d _{a, max} [mm]	51	C ₀ [kN]	80.4
d _{b, min} [mm]	55	C _u [kN]	10.6
d _{c, min} [mm]	60	n _{th} [min ⁻¹]	7215
D _{a, max} [mm]	81	n _g [min ⁻¹]	12000
r _{a, max} [mm]	1.5		