

# NJ3140M3

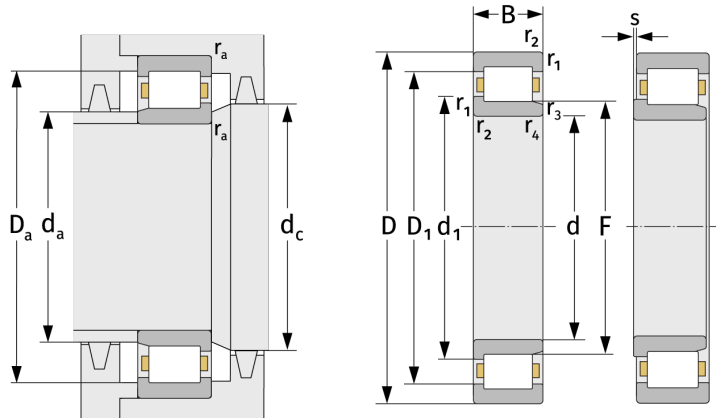
Cylindrical Roller Bearings (single row, with cage)



## Details:

### Main dimensions

d [mm]	200	d <sub>1</sub> [mm]	≈ 249
D [mm]	340	D <sub>1</sub> [mm]	≈ 297
B [mm]	112	r <sub>1,2</sub> [mm]	3
Weight [kg]	≈ 43.5	r <sub>3,4</sub> [mm]	3
F [mm]	233	s [mm]	10



Mating dimensions		Calculation data	
d <sub>a, min</sub> [mm]	214	C [kN]	1320
d <sub>a, max</sub> [mm]	230	C <sub>0</sub> [kN]	2100
d <sub>b, min</sub> [mm]	236	C <sub>u</sub> [kN]	214
d <sub>c, min</sub> [mm]	251	n <sub>th</sub> [min <sup>-1</sup> ]	1347
D <sub>a, max</sub> [mm]	326	n <sub>g</sub> [min <sup>-1</sup> ]	2600
r <sub>a, max</sub> [mm]	2.5		