

NJ332E.M3

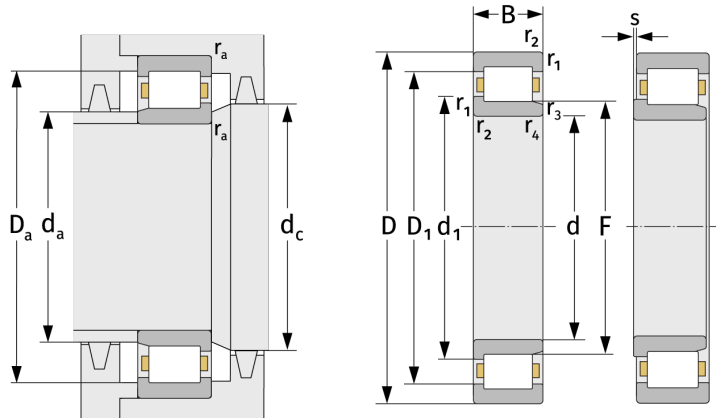
Cylindrical Roller Bearings (single row, with cage)



Details:

Main dimensions

d [mm]	160	d ₁ [mm]	≈ 223.2
D [mm]	340	D ₁ [mm]	≈ 280.8
B [mm]	68	r _{1,2} [mm]	4
Weight [kg]	≈ 31.9	r _{3,4} [mm]	4
F [mm]	204	s [mm]	4.5



Mating dimensions		Calculation data	
d _{a, min} [mm]	177	C [kN]	875
d _{a, max} [mm]	200	C ₀ [kN]	1080
d _{b, min} [mm]	211	C _u [kN]	113
d _{c, min} [mm]	229	n _{th} [min ⁻¹]	1773
D _{a, max} [mm]	323	n _g [min ⁻¹]	2800
r _{a, max} [mm]	3		