

NJ436M3

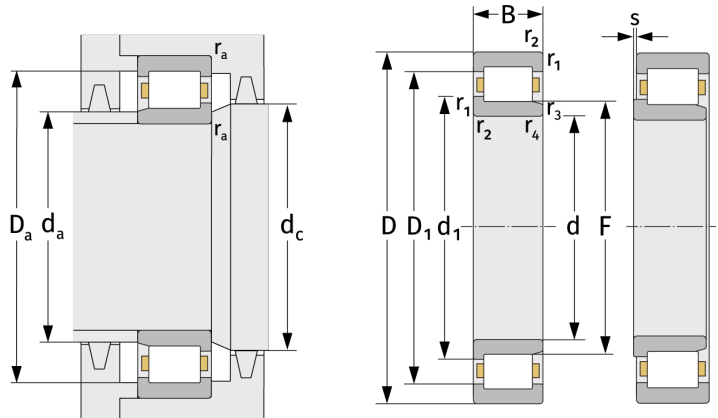
Cylindrical Roller Bearings (single row, with cage)



Details:

Main dimensions

d [mm]	180	d ₁ [mm]	≈ 274
D [mm]	440	D ₁ [mm]	≈ 346
B [mm]	95	r _{1,2} [mm]	6
Weight [kg]	≈ 80.1	r _{3,4} [mm]	6
F [mm]	250	s [mm]	4.3



Mating dimensions		Calculation data	
d _{a, min} [mm]	210	C [kN]	1330
d _{a, max} [mm]	247	C ₀ [kN]	1690
d _{b, min} [mm]	254	C _u [kN]	166
d _{c, min} [mm]	278	n _{th} [min ⁻¹]	1284
D _{a, max} [mm]	410	n _g [min ⁻¹]	2200
r _{a, max} [mm]	5		