

NJ440M3

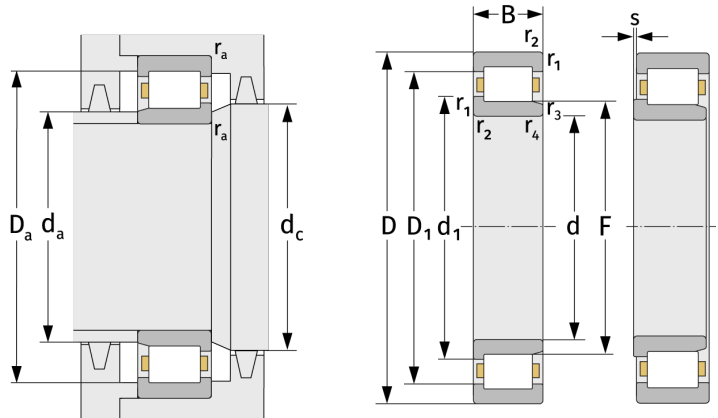
Cylindrical Roller Bearings (single row, with cage)



Details:

Main dimensions

d [mm]	200	d ₁ [mm]	≈ 301.6
D [mm]	480	D ₁ [mm]	≈ 378.4
B [mm]	102	r _{1,2} [mm]	6
Weight [kg]	≈ 101	r _{3,4} [mm]	6
F [mm]	276	s [mm]	4.5



Mating dimensions		Calculation data	
d _{a, min} [mm]	230	C [kN]	1500
d _{a, max} [mm]	273	C ₀ [kN]	1940
d _{b, min} [mm]	280	C _u [kN]	186
d _{c, min} [mm]	306	n _{th} [min ⁻¹]	1144
D _{a, max} [mm]	450	n _g [min ⁻¹]	2000
r _{a, max} [mm]	5		