

NN3028S.M

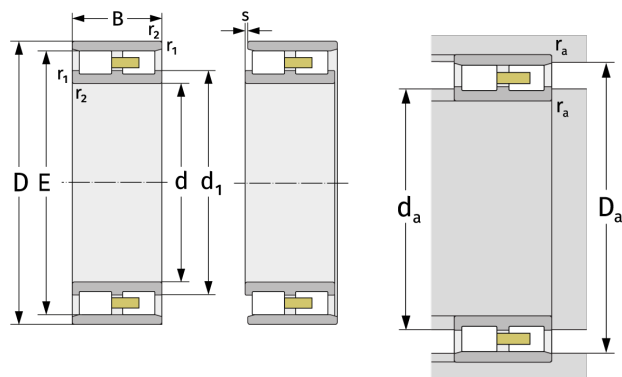
Cylindrical Roller Bearings (double row, with cage)



Details:

Main dimensions

| | | | |
|-------------|----------------|----------------|-----------------|
| d [mm] | 140 | d_1 [mm] | ≈ 166.4 |
| D [mm] | 210 | d_s [mm] | 4.8 |
| B [mm] | 53 | n_s [mm] | 9.5 |
| Weight [kg] | ≈ 6.56 | $r_{1,2}$ [mm] | 2 |
| E [mm] | 192 | s [mm] | 3.3 |
| E [mm] | 192 | | |



| Mating dimensions | | Calculation data | |
|--------------------|-----|---|------|
| $D_{a, \min}$ [mm] | 193 | C [kN] | 305 |
| $d_{a, \min}$ [mm] | 149 | C_0 [kN] | 535 |
| $D_{a, \min}$ [mm] | 193 | C_u [kN] | 62 |
| $D_{a, \max}$ [mm] | 201 | $n_{G, \text{Fett}}$ [min^{-1}] | 3700 |
| $r_{a, \max}$ [mm] | 2 | $n_{G, \text{Öl-Luft}}$ [min^{-1}] | 4400 |