

NN3030S.M

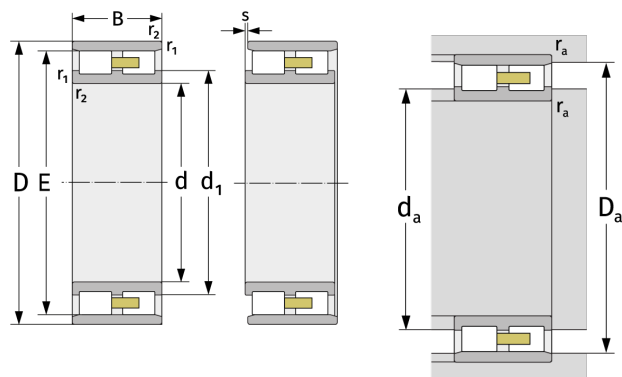
Cylindrical Roller Bearings (double row, with cage)



Details:

Main dimensions

d [mm]	150	d ₁ [mm]	≈ 178.8
D [mm]	225	d _s [mm]	4.8
B [mm]	56	n _s [mm]	9.5
Weight [kg]	≈ 7.94	r _{1,2} [mm]	2.1
E [mm]	206	s [mm]	3.7
E [mm]	206		



Mating dimensions		Calculation data	
D _{a,min} [mm]	207	C [kN]	339
d _{a,min} [mm]	160	C ₀ [kN]	595
D _{a,min} [mm]	207	C _u [kN]	67.6
D _{a,max} [mm]	215	n _{G,Fett} [min ⁻¹]	3400
r _{a,max} [mm]	2.1	n _{G,Öl-Luft} [min ⁻¹]	4000