

NN3034S.M

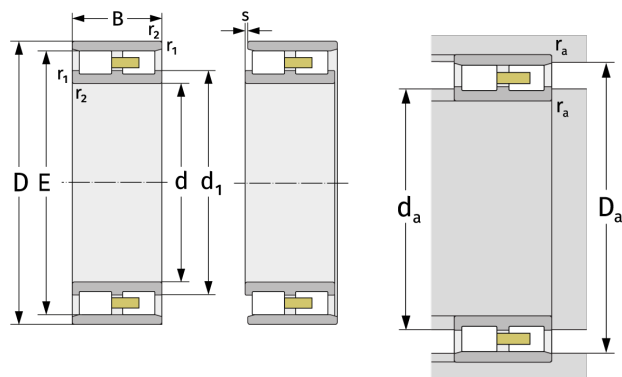
Cylindrical Roller Bearings (double row, with cage)



Details:

Main dimensions

d [mm]	170	d ₁ [mm]	≈ 204
D [mm]	260	d _s [mm]	4.8
B [mm]	67	n _s [mm]	9.5
Weight [kg]	≈ 13.1	r _{1,2} [mm]	2.1
E [mm]	236	s [mm]	4.5
E [mm]	236		



Mating dimensions		Calculation data	
D _{a,min} [mm]	238	C [kN]	465
d _{a,min} [mm]	180	C ₀ [kN]	835
D _{a,min} [mm]	238	C _u [kN]	91.3
D _{a,max} [mm]	250	n _{G,Fett} [min ⁻¹]	3000
r _{a,max} [mm]	2.1	n _{G,Öl-Luft} [min ⁻¹]	3500