

NN3036S.M

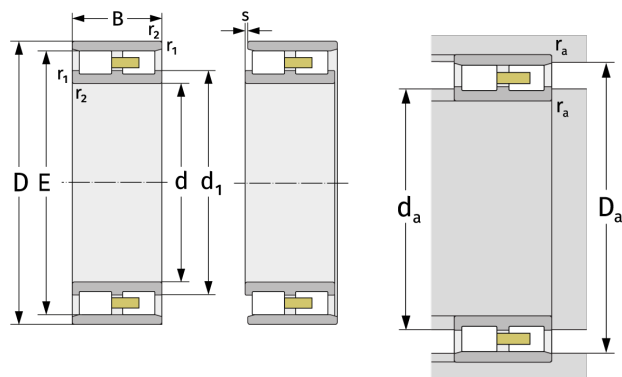
Cylindrical Roller Bearings (double row, with cage)



Details:

Main dimensions

d [mm]	180	d_1 [mm]	≈ 218.2
D [mm]	280	d_s [mm]	6.3
B [mm]	74	n_s [mm]	12.2
Weight [kg]	≈ 17.1	$r_{1,2}$ [mm]	2.1
E [mm]	255	s [mm]	4.8
E [mm]	255		



Mating dimensions		Calculation data	
$D_{a, \min}$ [mm]	257	C [kN]	580
$d_{a, \min}$ [mm]	190	C_0 [kN]	1020
$D_{a, \min}$ [mm]	257	C_u [kN]	110
$D_{a, \max}$ [mm]	270	$n_{G, \text{Fett}}$ [min^{-1}]	2800
$r_{a, \max}$ [mm]	2.1	$n_{G, \text{Öl-Luft}}$ [min^{-1}]	3300