

# NN3038S.M

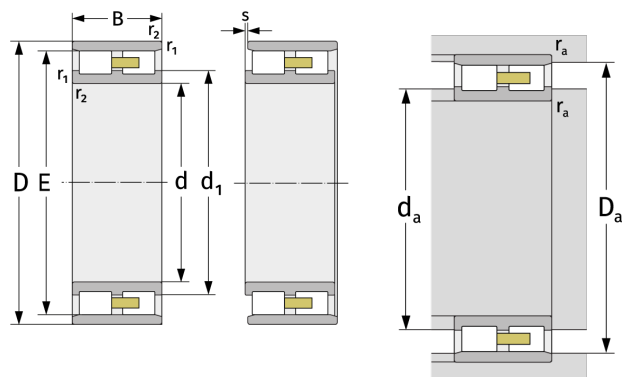
Cylindrical Roller Bearings (double row, with cage)



## Details:

### Main dimensions

d [mm]	190	d <sub>1</sub> [mm]	≈ 228.2
D [mm]	290	d <sub>s</sub> [mm]	6.3
B [mm]	75	n <sub>s</sub> [mm]	12.2
Weight [kg]	≈ 18.2	r <sub>1,2</sub> [mm]	2.1
E [mm]	265	s [mm]	4.8
E [mm]	265		



Mating dimensions		Calculation data	
D <sub>a, min</sub> [mm]	267	C [kN]	605
d <sub>a, min</sub> [mm]	200	C <sub>0</sub> [kN]	1100
D <sub>a, min</sub> [mm]	267	C <sub>u</sub> [kN]	117
D <sub>a, max</sub> [mm]	280	n <sub>G, Fett</sub> [min <sup>-1</sup> ]	2700
r <sub>a, max</sub> [mm]	2.1	n <sub>G, Öl-Luft</sub> [min <sup>-1</sup> ]	3100