

NN3040S.M

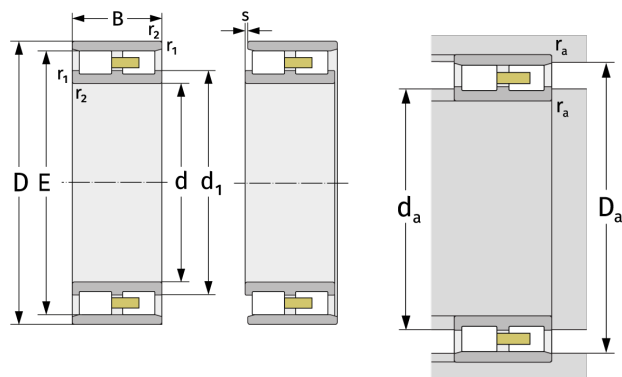
Cylindrical Roller Bearings (double row, with cage)



Details:

Main dimensions

d [mm]	200	d ₁ [mm]	≈ 242
D [mm]	310	d _s [mm]	6.3
B [mm]	82	n _s [mm]	12.2
Weight [kg]	≈ 23.1	r _{1,2} [mm]	2.1
E [mm]	282	s [mm]	5.3
E [mm]	282		



Mating dimensions		Calculation data	
D _{a,min} [mm]	284	C [kN]	675
d _{a,min} [mm]	210	C ₀ [kN]	1210
D _{a,min} [mm]	284	C _u [kN]	126
D _{a,max} [mm]	300	n _{G,Fett} [min ⁻¹]	2500
r _{a,max} [mm]	2.1	n _{G,Öl-Luft} [min ⁻¹]	2900