

NN3044S.M

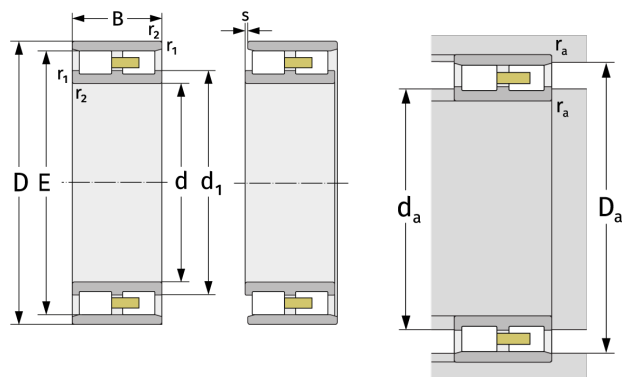
Cylindrical Roller Bearings (double row, with cage)



Details:

Main dimensions

| | | | |
|-------------|----------------|----------------|-----------------|
| d [mm] | 220 | d_1 [mm] | ≈ 265.2 |
| D [mm] | 340 | d_s [mm] | 8 |
| B [mm] | 90 | n_s [mm] | 15 |
| Weight [kg] | ≈ 30.3 | $r_{1,2}$ [mm] | 3 |
| E [mm] | 310 | s [mm] | 4.5 |
| E [mm] | 310 | | |



| Mating dimensions | | Calculation data | |
|--------------------|-----|---|------|
| $D_{a, \min}$ [mm] | 313 | C [kN] | 830 |
| $d_{a, \min}$ [mm] | 232 | C_0 [kN] | 1510 |
| $D_{a, \min}$ [mm] | 313 | C_u [kN] | 153 |
| $D_{a, \max}$ [mm] | 328 | $n_{G, \text{Fett}}$ [min^{-1}] | 2300 |
| $r_{a, \max}$ [mm] | 2.5 | $n_{G, \text{Öl-Luft}}$ [min^{-1}] | 2600 |