

NN3048S.M

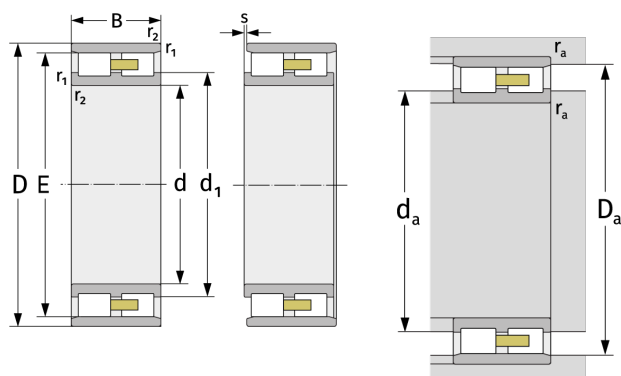
Cylindrical Roller Bearings (double row, with cage)



Details:

Main dimensions

d [mm]	240	d ₁ [mm]	≈ 285.2
D [mm]	360	d _s [mm]	8
B [mm]	92	n _s [mm]	15
Weight [kg]	≈ 33	r _{1,2} [mm]	3
E [mm]	330	s [mm]	6



Mating dimensions		Calculation data	
d _{a, min} [mm]	252	C [kN]	865
D _{a, min} [mm]	332	C ₀ [kN]	1630
D _{a, max} [mm]	348	C _u [kN]	162
r _{a, max} [mm]	2.5	n _{G, Fett} [min ⁻¹]	2100
		n _{G, Öl-Luft} [min ⁻¹]	2500