

NN3052S.M

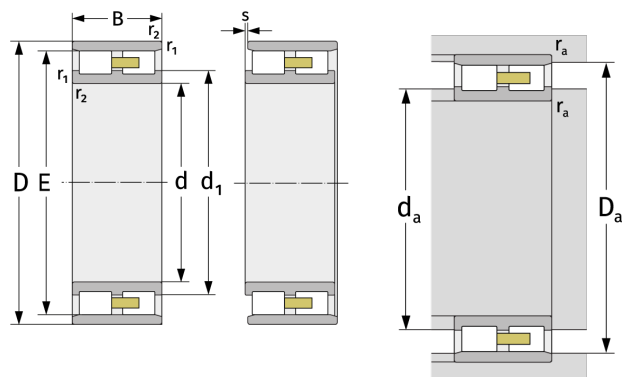
Cylindrical Roller Bearings (double row, with cage)



Details:

Main dimensions

d [mm]	260	d ₁ [mm]	≈ 312.8
D [mm]	400	d _s [mm]	8
B [mm]	104	n _s [mm]	15
Weight [kg]	≈ 48	r _{1,2} [mm]	4
E [mm]	364	s [mm]	6.5



Mating dimensions		Calculation data	
d _{a, min} [mm]	275	C [kN]	1070
D _{a, min} [mm]	366	C ₀ [kN]	1990
D _{a, max} [mm]	385	C _u [kN]	193
r _{a, max} [mm]	3	n _{G, Fett} [min ⁻¹]	1900
		n _{G, Öl-Luft} [min ⁻¹]	2200