

NN3056S.M

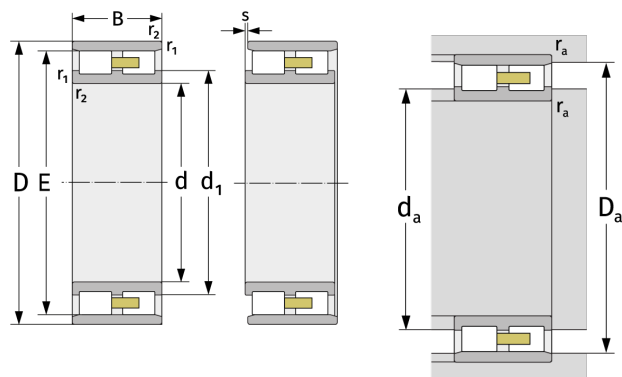
Cylindrical Roller Bearings (double row, with cage)



Details:

Main dimensions

d [mm]	280	d ₁ [mm]	≈ 332.8
D [mm]	420	d _s [mm]	8
B [mm]	106	n _s [mm]	15
Weight [kg]	≈ 52.3	r _{1,2} [mm]	4
E [mm]	384	s [mm]	6.8
E [mm]	384		



Mating dimensions		Calculation data	
D _{a,min} [mm]	387	C [kN]	1120
d _{a,min} [mm]	295	C ₀ [kN]	2160
D _{a,min} [mm]	387	C _u [kN]	206
D _{a,max} [mm]	405	n _{G,Fett} [min ⁻¹]	1800
r _{a,max} [mm]	3	n _{G,Öl-Luft} [min ⁻¹]	2100