

NN3068S.M

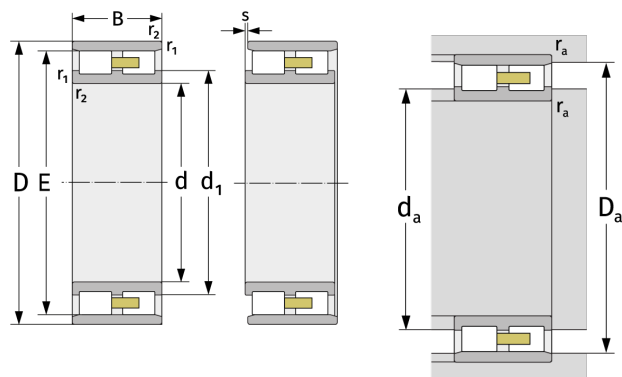
Cylindrical Roller Bearings (double row, with cage)



Details:

Main dimensions

d [mm]	340	d ₁ [mm]	≈ 409
D [mm]	520	d _s [mm]	9.5
B [mm]	133	n _s [mm]	17.7
Weight [kg]	≈ 104	r _{1,2} [mm]	5
E [mm]	473	s [mm]	8.7
E [mm]	473		



Mating dimensions		Calculation data	
D _{a,min} [mm]	476	C [kN]	1690
d _{a,min} [mm]	358	C ₀ [kN]	3370
D _{a,min} [mm]	476	C _u [kN]	302
D _{a,max} [mm]	502	n _{G,Fett} [min ⁻¹]	1400
r _{a,max} [mm]	4	n _{G,Öl-Luft} [min ⁻¹]	1700