

NNCF4838V

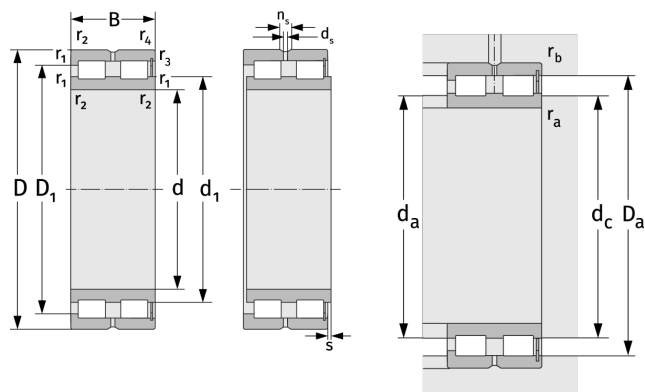
Cylindrical Roller Bearings (full complement, double row)



Details:

Main dimensions

d [mm]	190	d_s [mm]	3.2
D [mm]	240	n_s [mm]	6.5
B [mm]	50	$r_{1,2}$ [mm]	1.5
Weight [kg]	≈ 5.37	$r_{3,4}$ [mm]	1.5
d_1 [mm]	≈ 207.4	s [mm]	4
D_1 [mm]	≈ 220.6		



Mating dimensions		Calculation data	
$d_{a, \min}$ [mm]	197	C [kN]	315
$d_{c, \text{empf}}$ [mm]	205	C_0 [kN]	785
$D_{a, \max}$ [mm]	233	C_u [kN]	86
$r_{a, \max}$ [mm]	1.5	n_{th} [min^{-1}]	999
$r_{b, \max}$ [mm]	1.5	n_g [min^{-1}]	1500