

# NNCF4848V

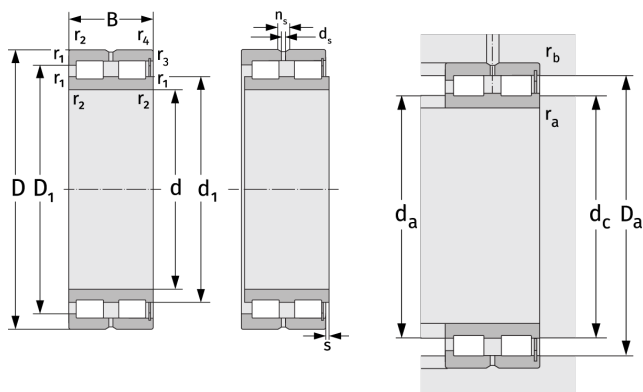
Cylindrical Roller Bearings (full complement, double row)



## Details:

### Main dimensions

d [mm]	240	$d_s$ [mm]	3.2
D [mm]	300	$n_s$ [mm]	6.5
B [mm]	60	$r_{1,2}$ [mm]	2
Weight [kg]	≈ 9.79	$r_{3,4}$ [mm]	2
$d_1$ [mm]	≈ 259.5	s [mm]	4
$D_1$ [mm]	≈ 276.3		



Mating dimensions		Calculation data	
$d_{a, \min}$ [mm]	248.8	C [kN]	510
$d_{c, \text{empf}}$ [mm]	257	$C_0$ [kN]	1320
$D_{a, \max}$ [mm]	291.2	$C_u$ [kN]	136
$r_{a, \max}$ [mm]	2	$n_{th}$ [ $\text{min}^{-1}$ ]	711
$r_{b, \max}$ [mm]	2	$n_g$ [ $\text{min}^{-1}$ ]	1200