

NNCF4912V

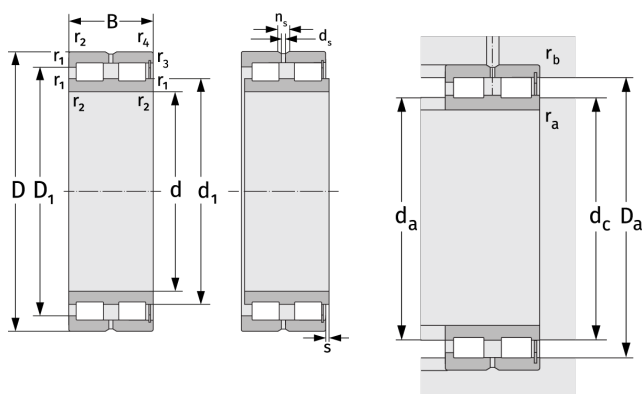
Cylindrical Roller Bearings (full complement, double row)



Details:

Main dimensions

d [mm]	60	d_s [mm]	3.2
D [mm]	85	n_s [mm]	4.8
B [mm]	25	$r_{1,2}$ [mm]	1
Weight [kg]	≈ 0.458	$r_{3,4}$ [mm]	1
d_1 [mm]	≈ 68.71	s [mm]	1
D_1 [mm]	≈ 75.31		



Mating dimensions		Calculation data	
$d_{a, \min}$ [mm]	64.6	C [kN]	71.5
$d_{c, \text{empf}}$ [mm]	68	C_0 [kN]	132
$D_{a, \max}$ [mm]	80.4	C_u [kN]	17.3
$r_{a, \max}$ [mm]	1	n_{th} [min^{-1}]	2575
$r_{b, \max}$ [mm]	1	n_g [min^{-1}]	4700