

# NNCF4924V

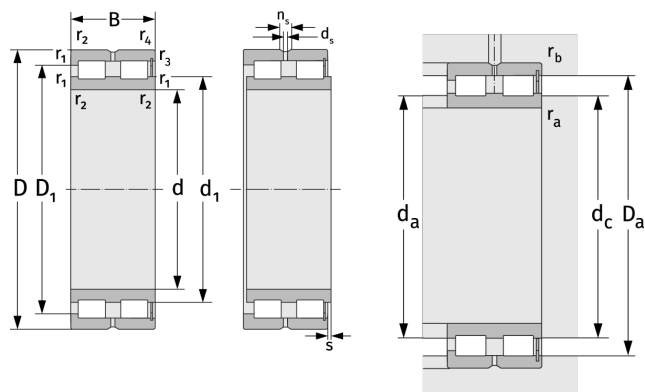
Cylindrical Roller Bearings (full complement, double row)



## Details:

### Main dimensions

d [mm]	120	$d_s$ [mm]	3.2
D [mm]	165	$n_s$ [mm]	6.5
B [mm]	45	$r_{1,2}$ [mm]	1.1
Weight [kg]	≈ 2.89	$r_{3,4}$ [mm]	1.1
$d_1$ [mm]	≈ 137.55	s [mm]	3
$D_1$ [mm]	≈ 149.55		



Mating dimensions		Calculation data	
$d_{a, \min}$ [mm]	126	C [kN]	227
$d_{c, \text{empf}}$ [mm]	136	$C_0$ [kN]	479
$D_{a, \max}$ [mm]	159	$C_u$ [kN]	58.8
$r_{a, \max}$ [mm]	1	$n_{\text{th}}$ [ $\text{min}^{-1}$ ]	1511
$r_{b, \max}$ [mm]	1	$n_g$ [ $\text{min}^{-1}$ ]	2300