

# NNCF4980V

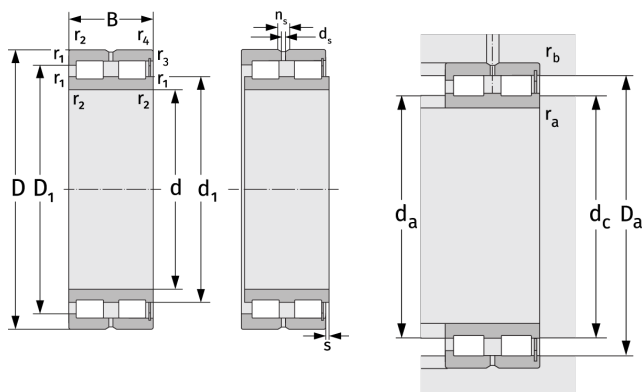
Cylindrical Roller Bearings (full complement, double row)



## Details:

### Main dimensions

d [mm]	400	$d_s$ [mm]	4.8
D [mm]	540	$n_s$ [mm]	9.5
B [mm]	140	$r_{1,2}$ [mm]	4
Weight [kg]	≈ 95.1	$r_{3,4}$ [mm]	4
$d_1$ [mm]	≈ 450.54	s [mm]	7
$D_1$ [mm]	≈ 488.94		



Mating dimensions		Calculation data	
$d_{a, \min}$ [mm]	414.6	C [kN]	2290
$d_{c, \text{empf}}$ [mm]	446	$C_0$ [kN]	6050
$D_{a, \max}$ [mm]	525.4	$C_u$ [kN]	530
$r_{a, \max}$ [mm]	3	$n_{\text{th}}$ [min <sup>-1</sup> ]	295
$r_{b, \max}$ [mm]	3	$n_g$ [min <sup>-1</sup> ]	630