

NNCF4996V

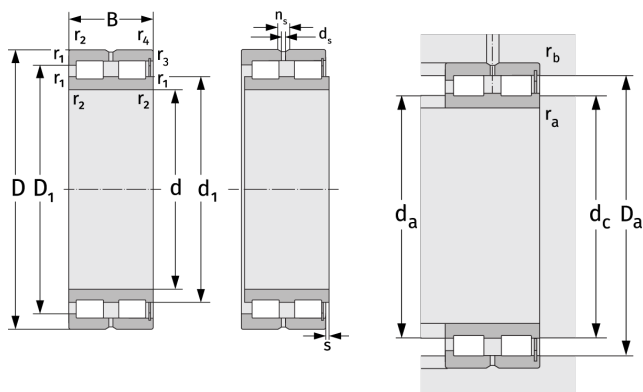
Cylindrical Roller Bearings (full complement, double row)



Details:

Main dimensions

| | | | |
|-------------|---------|----------------|-----|
| d [mm] | 480 | d_s [mm] | 4.8 |
| D [mm] | 650 | n_s [mm] | 9.5 |
| B [mm] | 170 | $r_{1,2}$ [mm] | 5 |
| Weight [kg] | ≈ 168 | $r_{3,4}$ [mm] | 5 |
| d_1 [mm] | ≈ 547.2 | s [mm] | 8 |
| D_1 [mm] | ≈ 592.8 | | |



| Mating dimensions | | Calculation data | |
|---------------------------|-----|--------------------------------|------|
| $d_{a, \min}$ [mm] | 498 | C [kN] | 3190 |
| $d_{c, \text{empf}}$ [mm] | 542 | C_0 [kN] | 8750 |
| $D_{a, \max}$ [mm] | 632 | C_u [kN] | 725 |
| $r_{a, \max}$ [mm] | 4 | n_{th} [min^{-1}] | 227 |
| $r_{b, \max}$ [mm] | 4 | n_g [min^{-1}] | 500 |