

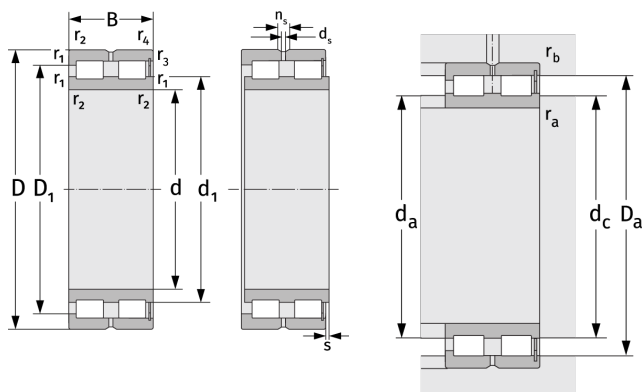
NNCF5020V

Cylindrical Roller Bearings (full complement, double row)



Details:

Main dimensions			
d [mm]	100	d_s [mm]	3.2
D [mm]	150	n_s [mm]	6.5
B [mm]	67	$r_{1,2}$ [mm]	1.5
Weight [kg]	≈ 3.91	$r_{3,4}$ [mm]	1.1
d_1 [mm]	≈ 115.65	s [mm]	4
D_1 [mm]	≈ 133.65		



Mating dimensions		Calculation data	
$d_{a, \min}$ [mm]	107	C [kN]	366
$d_{c, \text{empf}}$ [mm]	114	C_0 [kN]	630
$D_{a, \max}$ [mm]	143	C_u [kN]	80.6
$r_{a, \max}$ [mm]	1.5	n_{th} [min^{-1}]	1886
$r_{b, \max}$ [mm]	1	n_g [min^{-1}]	2700