

# NNU40/850S.M

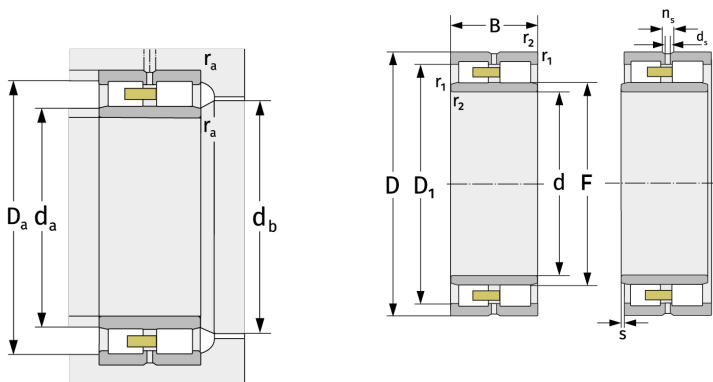
Cylindrical Roller Bearings (double row, with cage)



## Details:

### Main dimensions

d [mm]	850	$D_1$ [mm]	≈ 1092
D [mm]	1220	$d_s$ [mm]	12.5
B [mm]	365	$n_s$ [mm]	23.5
Weight [kg]	≈ 1417	$r_{1,2}$ [mm]	7.5
F [mm]	940	s [mm]	18.2



Mating dimensions		Calculation data	
$d_{a, \min}$ [mm]	878	C [kN]	11600
$d_{a, \max}$ [mm]	935	$C_0$ [kN]	28700
$d_{b, \min}$ [mm]	945	$C_u$ [kN]	2010
$D_{a, \max}$ [mm]	1192	$n_{G, \text{Fett}}$ [ $\text{min}^{-1}$ ]	460
$r_{a, \max}$ [mm]	6	$n_{G, \text{Öl-Luft}}$ [ $\text{min}^{-1}$ ]	540