

NNU4056S.M

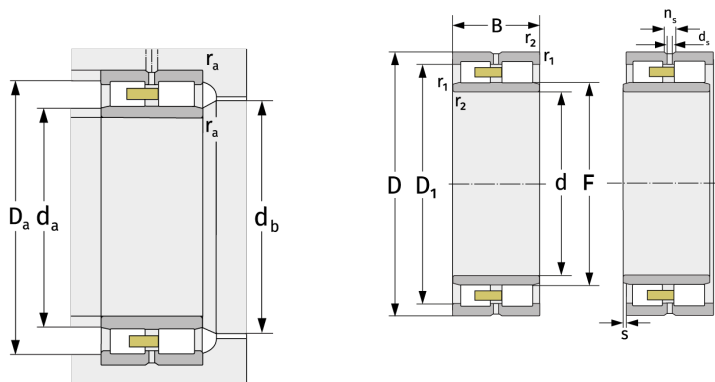
Cylindrical Roller Bearings (double row, with cage)



Details:

Main dimensions

d [mm]	280	D_1 [mm]	≈ 372.6
D [mm]	420	d_s [mm]	8
B [mm]	140	n_s [mm]	15
Weight [kg]	≈ 68.8	$r_{1,2}$ [mm]	4
F [mm]	315	s [mm]	5.5



Mating dimensions		Calculation data	
$d_{a, \min}$ [mm]	295	C [kN]	1650
$d_{a, \max}$ [mm]	313	C_0 [kN]	3250
$d_{b, \min}$ [mm]	318	C_u [kN]	310
$D_{a, \max}$ [mm]	405	$n_{G, \text{Fett}}$ [min^{-1}]	1800
$r_{a, \max}$ [mm]	3	$n_{G, \text{Öl-Luft}}$ [min^{-1}]	2100