

NNU4060S.M

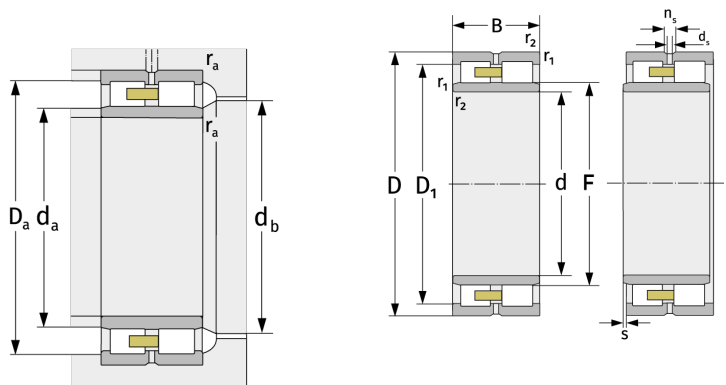
Cylindrical Roller Bearings (double row, with cage)



Details:

Main dimensions

d [mm]	300	D_1 [mm]	≈ 404
D [mm]	460	d_s [mm]	8
B [mm]	160	n_s [mm]	15
Weight [kg]	≈ 97.9	$r_{1,2}$ [mm]	4
F [mm]	340	s [mm]	6.5



Mating dimensions		Calculation data	
$d_{a, \min}$ [mm]	315	C [kN]	2010
$d_{a, \max}$ [mm]	338	C_0 [kN]	4000
$d_{b, \min}$ [mm]	343	C_u [kN]	373
$D_{a, \max}$ [mm]	445	$n_{G, \text{Fett}}$ [min^{-1}]	1600
$r_{a, \max}$ [mm]	3	$n_{G, \text{Öl-Luft}}$ [min^{-1}]	1900