

NNU4068S.M

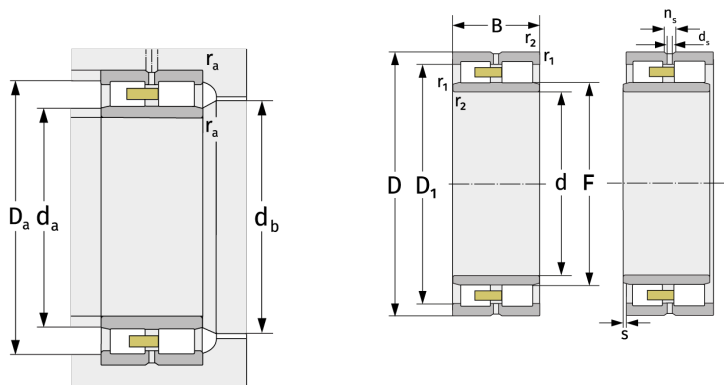
Cylindrical Roller Bearings (double row, with cage)



Details:

Main dimensions

d [mm]	340	D_1 [mm]	≈ 457
D [mm]	520	d_s [mm]	8
B [mm]	180	n_s [mm]	15
Weight [kg]	≈ 141	$r_{1,2}$ [mm]	5
F [mm]	385	s [mm]	7.5



Mating dimensions		Calculation data	
$d_{a, \min}$ [mm]	358	C [kN]	2570
$d_{a, \max}$ [mm]	382	C_0 [kN]	5300
$d_{b, \min}$ [mm]	389	C_u [kN]	476
$D_{a, \max}$ [mm]	502	$n_{G, \text{Fett}}$ [min^{-1}]	1400
$r_{a, \max}$ [mm]	4	$n_{G, \text{Öl-Luft}}$ [min^{-1}]	1700