

NNU41/530S.M

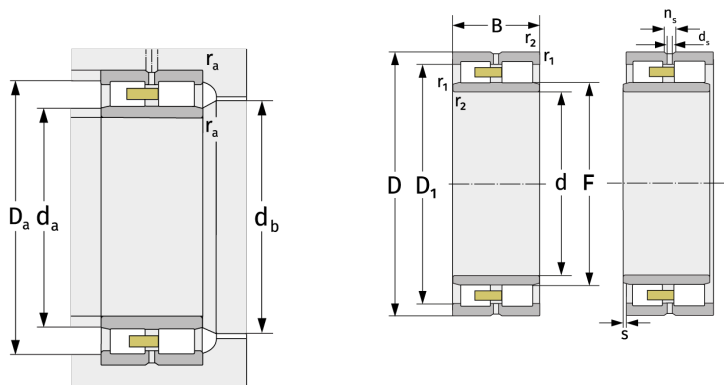
Cylindrical Roller Bearings (double row, with cage)



Details:

Main dimensions

d [mm]	530	D_1 [mm]	≈ 762
D [mm]	870	d_s [mm]	12.5
B [mm]	335	n_s [mm]	23.5
Weight [kg]	≈ 793	$r_{1,2}$ [mm]	7.5
F [mm]	618	s [mm]	17



Mating dimensions		Calculation data	
$d_{a, \min}$ [mm]	562	C [kN]	7850
$d_{a, \max}$ [mm]	612	C_0 [kN]	16000
$d_{b, \min}$ [mm]	622	C_u [kN]	1250
$D_{a, \max}$ [mm]	838	$n_{G, \text{Fett}}$ [min^{-1}]	760
$r_{a, \max}$ [mm]	6	$n_{G, \text{Öl-Luft}}$ [min^{-1}]	890