

# NNU4152S.M

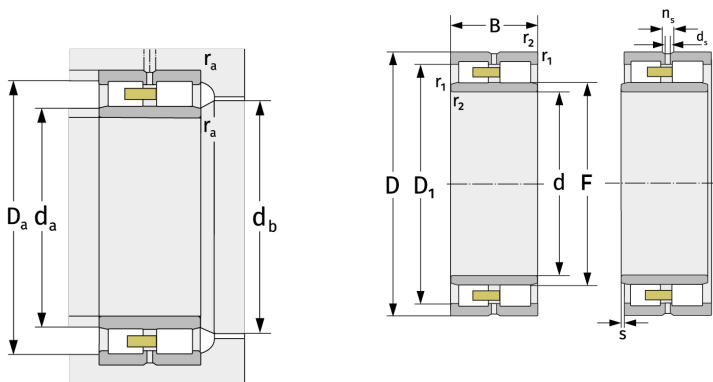
Cylindrical Roller Bearings (double row, with cage)



## Details:

### Main dimensions

d [mm]	260	$D_1$ [mm]	$\approx 382.8$
D [mm]	440	$d_s$ [mm]	12.5
B [mm]	180	$n_s$ [mm]	23.5
Weight [kg]	$\approx 114$	$r_{1,2}$ [mm]	4
F [mm]	306	s [mm]	5.1



Mating dimensions		Calculation data	
$d_{a, \min}$ [mm]	277	C [kN]	2240
$d_{a, \max}$ [mm]	302	$C_0$ [kN]	3960
$d_{b, \min}$ [mm]	309	$C_u$ [kN]	376
$D_{a, \max}$ [mm]	423	$n_{G, \text{Fett}}$ [ $\text{min}^{-1}$ ]	1800
$r_{a, \max}$ [mm]	3	$n_{G, \text{Öl-Luft}}$ [ $\text{min}^{-1}$ ]	2100