

NNU4192S.M

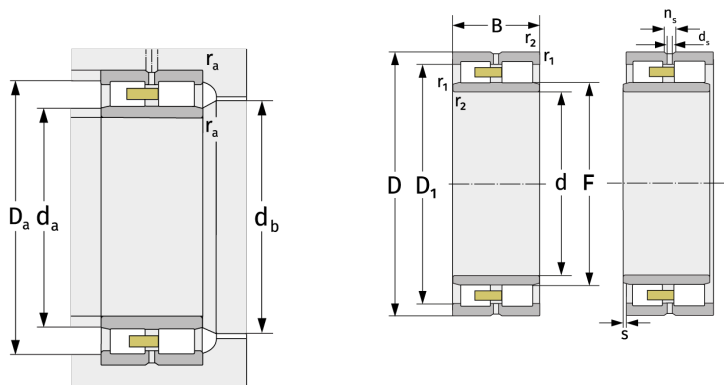
Cylindrical Roller Bearings (double row, with cage)



Details:

Main dimensions

d [mm]	460	D_1 [mm]	≈ 665
D [mm]	760	d_s [mm]	12.5
B [mm]	300	n_s [mm]	23.5
Weight [kg]	≈ 549	$r_{1,2}$ [mm]	7.5
F [mm]	537	s [mm]	12.8



Mating dimensions		Calculation data	
$d_{a, \min}$ [mm]	492	C [kN]	6450
$d_{a, \max}$ [mm]	532	C_0 [kN]	12900
$d_{b, \min}$ [mm]	541	C_u [kN]	1050
$D_{a, \max}$ [mm]	728	$n_{G, \text{Fett}}$ [min^{-1}]	900
$r_{a, \max}$ [mm]	6	$n_{G, \text{Öl-Luft}}$ [min^{-1}]	1100