

NNU48/500S.M

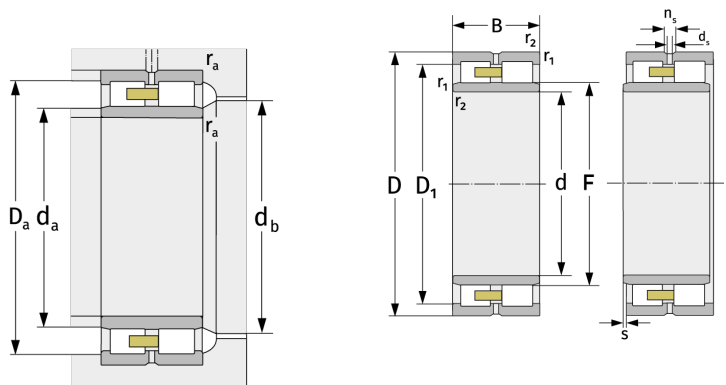
Cylindrical Roller Bearings (double row, with cage)



Details:

Main dimensions

d [mm]	500	D_1 [mm]	≈ 579
D [mm]	620	d_s [mm]	8
B [mm]	118	n_s [mm]	15
Weight [kg]	≈ 81.4	$r_{1,2}$ [mm]	3
F [mm]	539	s [mm]	6.5



Mating dimensions		Calculation data	
$d_{a, \min}$ [mm]	512	C [kN]	1400
$d_{a, \max}$ [mm]	536	C_0 [kN]	4060
$d_{b, \min}$ [mm]	543	C_u [kN]	338
$D_{a, \max}$ [mm]	608		
$r_{a, \max}$ [mm]	2.5		