

NNU4860S.M

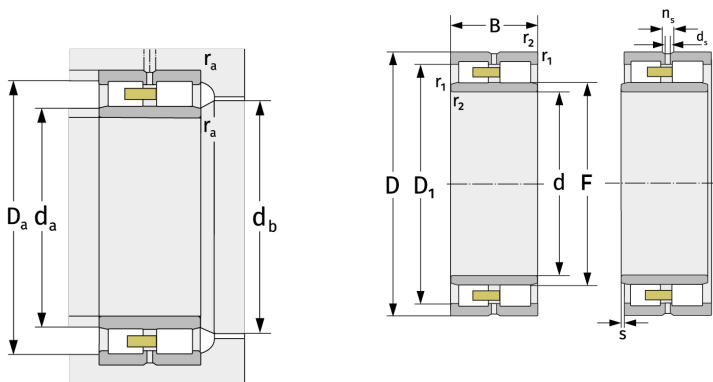
Cylindrical Roller Bearings (double row, with cage)



Details:

Main dimensions

d [mm]	300	D_1 [mm]	≈ 350.6
D [mm]	380	d_s [mm]	4.8
B [mm]	80	n_s [mm]	9.5
Weight [kg]	≈ 22.4	$r_{1,2}$ [mm]	2.1
F [mm]	325	s [mm]	4.8



Mating dimensions		Calculation data	
$d_{a, \min}$ [mm]	310	C [kN]	590
$d_{a, \max}$ [mm]	322	C_0 [kN]	1570
$d_{b, \min}$ [mm]	328	C_u [kN]	151
$D_{a, \max}$ [mm]	370	$n_{G, \text{Fett}}$ [min^{-1}]	1800
$r_{a, \max}$ [mm]	2.1	$n_{G, \text{Öl-Luft}}$ [min^{-1}]	2200