

NNU49/800S.M

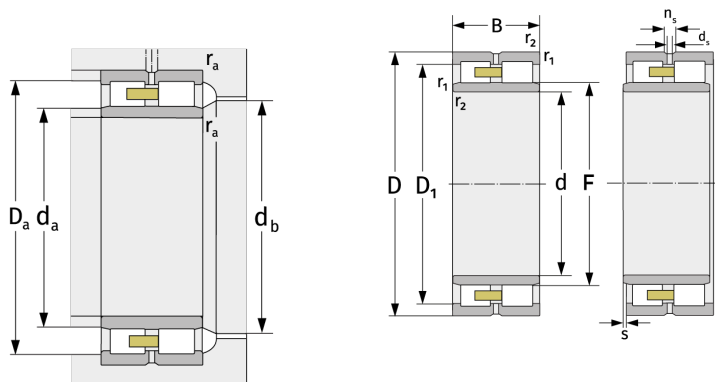
Cylindrical Roller Bearings (double row, with cage)



Details:

Main dimensions

d [mm]	800	D_1 [mm]	≈ 976
D [mm]	1060	d_s [mm]	12.5
B [mm]	258	n_s [mm]	23.5
Weight [kg]	≈ 636	$r_{1,2}$ [mm]	6
F [mm]	880	s [mm]	10.5



Mating dimensions		Calculation data	
$d_{a, \min}$ [mm]	823	C [kN]	6250
$d_{a, \max}$ [mm]	874	C_0 [kN]	17700
$d_{b, \min}$ [mm]	885	C_u [kN]	1280
$D_{a, \max}$ [mm]	1037	$n_{G, \text{Fett}}$ [min^{-1}]	520
$r_{a, \max}$ [mm]	5	$n_{G, \text{Öl-Luft}}$ [min^{-1}]	620