

# NNU49/900S.M

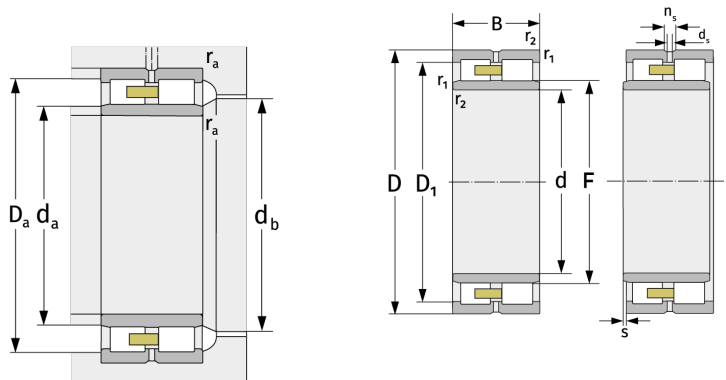
Cylindrical Roller Bearings (double row, with cage)



## Details:

### Main dimensions

d [mm]	900	$D_1$ [mm]	≈
D [mm]	1180		1088.4
B [mm]	280	$d_s$ [mm]	12.5
Weight [kg]	≈ 830	$n_s$ [mm]	23.5
F [mm]	986	$r_{1,2}$ [mm]	6
		s [mm]	12.5



Mating dimensions		Calculation data	
$d_{a, \min}$ [mm]	923	C [kN]	7200
$d_{a, \max}$ [mm]	979	$C_0$ [kN]	21000
$d_{b, \min}$ [mm]	991	$C_u$ [kN]	1470
$D_{a, \max}$ [mm]	1157	$n_{G, \text{Fett}}$ [ $\text{min}^{-1}$ ]	450
$r_{a, \max}$ [mm]	5	$n_{G, \text{Öl-Luft}}$ [ $\text{min}^{-1}$ ]	530