

# NNU4960S.M

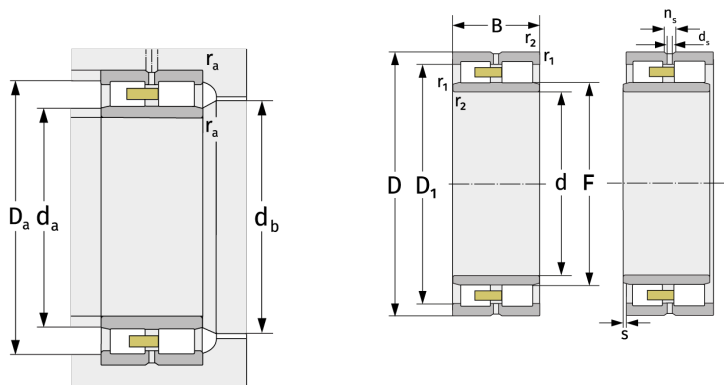
Cylindrical Roller Bearings (double row, with cage)



## Details:

### Main dimensions

d [mm]	300	$D_1$ [mm]	≈ 379
D [mm]	420	$d_s$ [mm]	9.5
B [mm]	118	$n_s$ [mm]	17.7
Weight [kg]	≈ 51.9	$r_{1,2}$ [mm]	3
F [mm]	339	s [mm]	6.3



Mating dimensions		Calculation data	
$d_{a, \min}$ [mm]	312	C [kN]	1070
$d_{a, \max}$ [mm]	335	$C_0$ [kN]	2470
$d_{b, \min}$ [mm]	342	$C_u$ [kN]	233
$D_{a, \max}$ [mm]	408	$n_{G, \text{Fett}}$ [ $\text{min}^{-1}$ ]	1700
$r_{a, \max}$ [mm]	2.5	$n_{G, \text{Öl-Luft}}$ [ $\text{min}^{-1}$ ]	2000