

NNU6009V

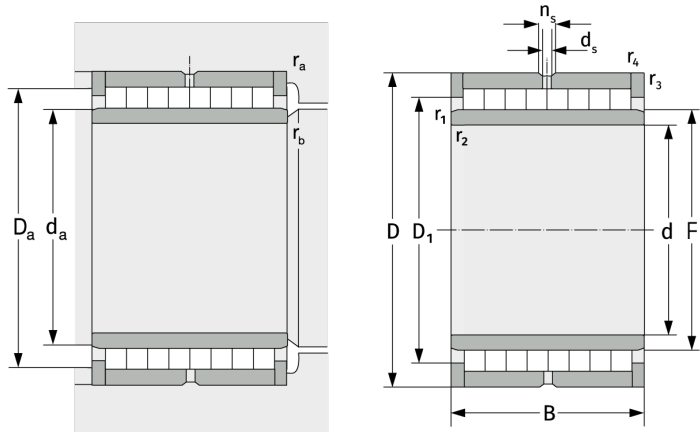
Cylindrical Roller Bearings (full complement, multi row)



Details:

Main dimensions

d [mm]	45	d_s [mm]	3.2
D [mm]	75	n_s [mm]	4.8
B [mm]	54	$r_{1,2}$ [mm]	1
Weight [kg]	≈ 1.06	$r_{3,4}$ [mm]	1
D_1 [mm]	≈ 63.25		



Mating dimensions

$d_{a, \min}$ [mm]	50
$D_{a, \max}$ [mm]	70
$r_{a, \max}$ [mm]	1
$r_{b, \max}$ [mm]	1

Calculation data

C [kN]	152
C_0 [kN]	307
C_u [kN]	40.3