

NNU6052M

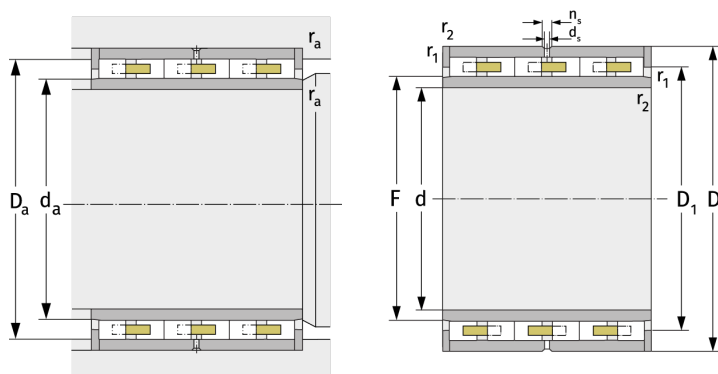
Cylindrical Roller Bearings (multi row, with cage)



Details:

Main dimensions

d [mm]	260	d_s [mm]	3.2
D [mm]	400	n_s [mm]	6.5
B [mm]	250	$r_{1,2}$ [mm]	4
Weight [kg]	≈ 121	$r_{3,4}$ [mm]	4
F [mm]	303.5	s [mm]	7
D_1 [mm]	≈ 348.3		



Mating dimensions		Calculation data	
$d_{a, \min}$ [mm]	301	C [kN]	2170
$D_{a, \max}$ [mm]	385	C_0 [kN]	5500
$r_{a, \max}$ [mm]	3	C_u [kN]	532
$r_{b, \max}$ [mm]	3	n_g [min ⁻¹]	1700