

NNU6917V

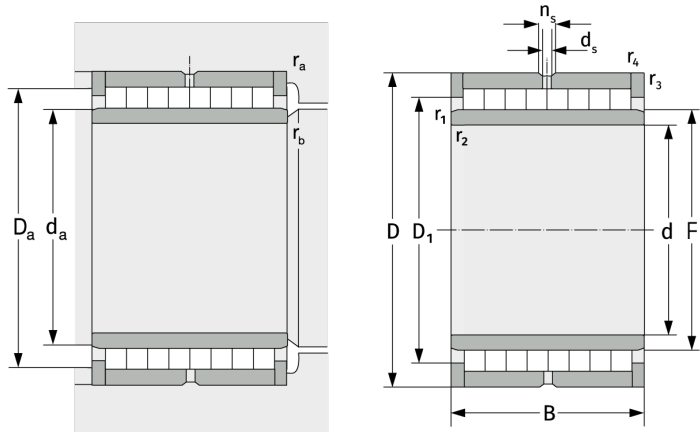
Cylindrical Roller Bearings (full complement, multi row)



Details:

Main dimensions

d [mm]	85	d_s [mm]	3.2
D [mm]	120	n_s [mm]	4.8
B [mm]	63	$r_{1,2}$ [mm]	1.1
Weight [kg]	≈ 2.47	$r_{3,4}$ [mm]	1.1
D_1 [mm]	≈ 107.2		



Mating dimensions

$d_{a, \min}$ [mm]	91
$D_{a, \max}$ [mm]	114
$r_{a, \max}$ [mm]	1
$r_{b, \max}$ [mm]	1

Calculation data

C [kN]	259
C_0 [kN]	655
C_u [kN]	88.5