

NNU6922V

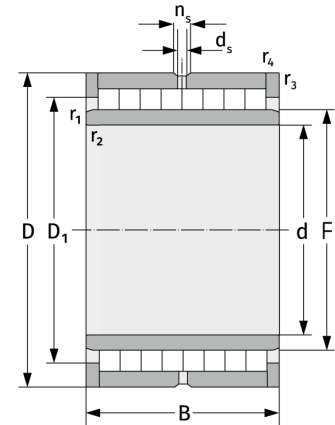
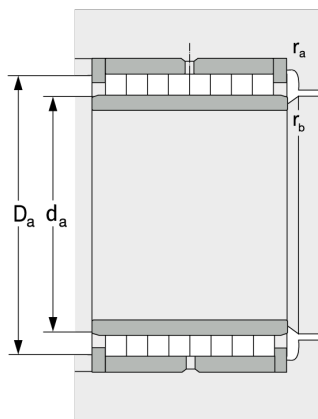
Cylindrical Roller Bearings (full complement, multi row)



Details:

Main dimensions

d [mm]	110	d_s [mm]	3.2
D [mm]	150	n_s [mm]	6.5
B [mm]	71	$r_{1,2}$ [mm]	1.1
Weight [kg]	≈ 4.05	$r_{3,4}$ [mm]	1.1
D_1 [mm]	≈ 135.3		



Mating dimensions

$d_{a, \min}$ [mm]	116
$D_{a, \max}$ [mm]	144
$r_{a, \max}$ [mm]	1
$r_{b, \max}$ [mm]	1

Calculation data

C [kN]	355
C_0 [kN]	975
C_u [kN]	123