

# NNU6924V

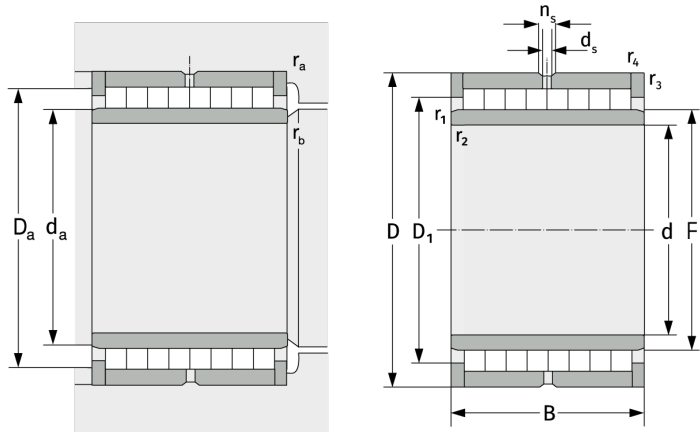
Cylindrical Roller Bearings (full complement, multi row)



## Details:

### Main dimensions

d [mm]	120	$d_s$ [mm]	3.2
D [mm]	165	$n_s$ [mm]	6.5
B [mm]	80	$r_{1,2}$ [mm]	1.1
Weight [kg]	≈ 5.64	$r_{3,4}$ [mm]	1.1
$D_1$ [mm]	≈ 146.4		



### Mating dimensions

$d_{a, \min}$ [mm]	126
$D_{a, \max}$ [mm]	159
$r_{a, \max}$ [mm]	1
$r_{b, \max}$ [mm]	1

### Calculation data

C [kN]	428
$C_0$ [kN]	1170
$C_u$ [kN]	144