

# NNU6932M

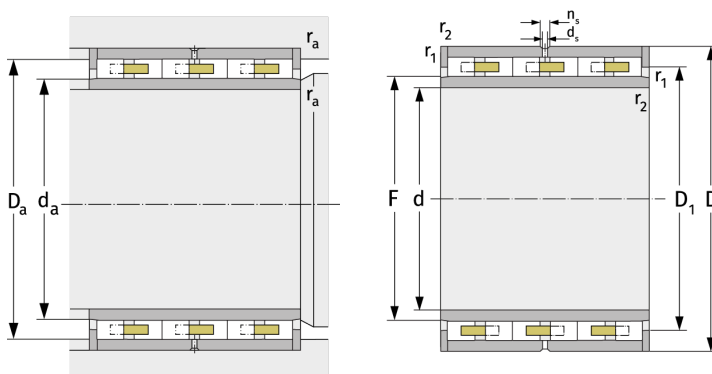
Cylindrical Roller Bearings (multi row, with cage)



## Details:

### Main dimensions

d [mm]	160	$d_s$ [mm]	3.2
D [mm]	220	$n_s$ [mm]	6.5
B [mm]	109	$r_{1,2}$ [mm]	2
Weight [kg]	≈ 13	$r_{3,4}$ [mm]	2
F [mm]	179.75	s [mm]	4
$D_1$ [mm]	≈ 198.95		



Mating dimensions		Calculation data	
$d_{a, \min}$ [mm]	177	C [kN]	520
$D_{a, \max}$ [mm]	211	$C_0$ [kN]	1340
$r_{a, \max}$ [mm]	2	$C_u$ [kN]	152
$r_{b, \max}$ [mm]	2	$n_g$ [ $\text{min}^{-1}$ ]	3000