

NNU6948V

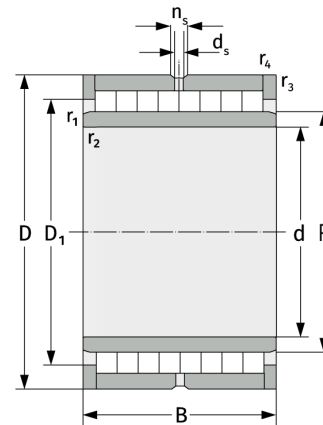
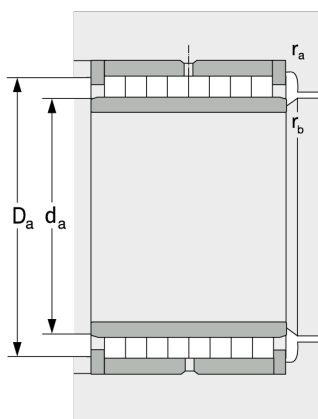
Cylindrical Roller Bearings (full complement, multi row)



Details:

Main dimensions

d [mm]	240	d_s [mm]	3.2
D [mm]	320	n_s [mm]	6.5
B [mm]	145	$r_{1,2}$ [mm]	2.1
Weight [kg]	≈ 35.5	$r_{3,4}$ [mm]	2.1
D_1 [mm]	≈ 290.85		



Mating dimensions

$d_{a, \min}$ [mm]	250
$D_{a, \max}$ [mm]	310
$r_{a, \max}$ [mm]	2.1
$r_{b, \max}$ [mm]	2.1

Calculation data

C [kN]	1370
C_0 [kN]	4330
C_u [kN]	439