

# NNU6956M

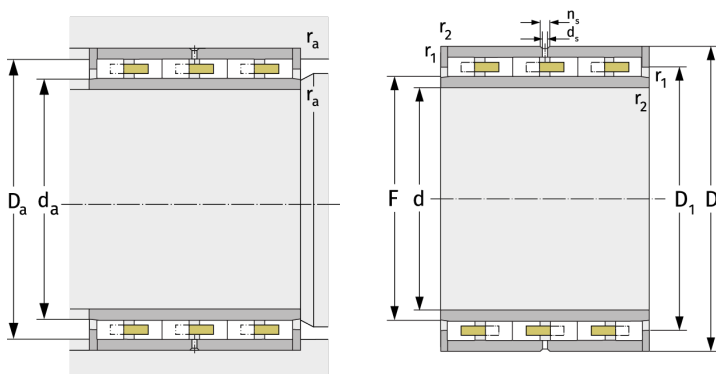
Cylindrical Roller Bearings (multi row, with cage)



## Details:

### Main dimensions

d [mm]	280	$d_s$ [mm]	4.8
D [mm]	380	$n_s$ [mm]	9.5
B [mm]	180	$r_{1,2}$ [mm]	2.1
Weight [kg]	≈ 62.1	$r_{3,4}$ [mm]	2.1
F [mm]	312.5	s [mm]	5
$D_1$ [mm]	≈ 344.5		



Mating dimensions		Calculation data	
$d_{a, \min}$ [mm]	310	C [kN]	1400
$D_{a, \max}$ [mm]	370	$C_0$ [kN]	3970
$r_{a, \max}$ [mm]	2.1	$C_u$ [kN]	384
$r_{b, \max}$ [mm]	2.1	$n_g$ [ $\text{min}^{-1}$ ]	1700