

NNU6972V

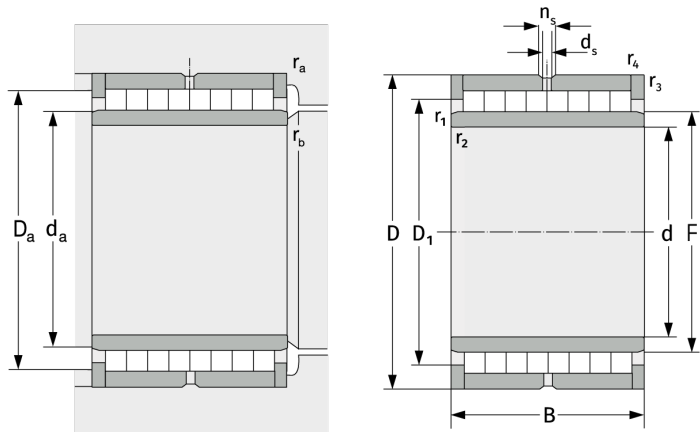
Cylindrical Roller Bearings (full complement, multi row)



Details:

Main dimensions

d [mm]	360	d_s [mm]	4.8
D [mm]	480	n_s [mm]	9.5
B [mm]	218	$r_{1,2}$ [mm]	3
Weight [kg]	≈ 120	$r_{3,4}$ [mm]	3
D_1 [mm]	≈ 436		



Mating dimensions

$d_{a, \min}$ [mm]	372
$D_{a, \max}$ [mm]	468
$r_{a, \max}$ [mm]	2.5
$r_{b, \max}$ [mm]	2.5

Calculation data

C [kN]	2910
C_0 [kN]	9850
C_u [kN]	889