

NNU6976V

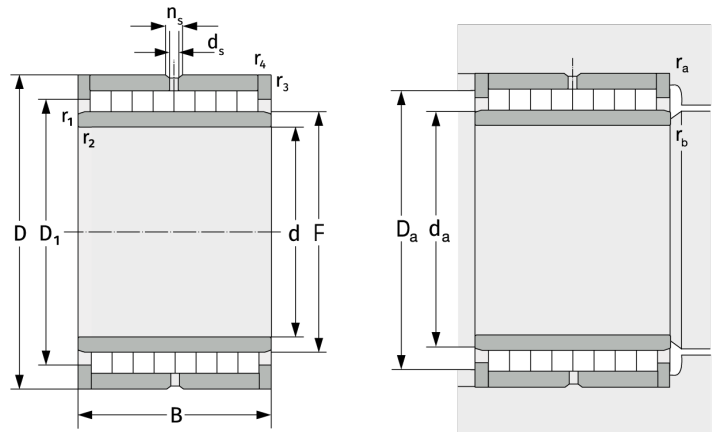
Cylindrical Roller Bearings (full complement, multi row)



Details:

Main dimensions

d [mm]	380	d_s [mm]	6.3
D [mm]	520	n_s [mm]	12.2
B [mm]	250	$r_{1,2}$ [mm]	4
Weight [kg]	≈ 173	$r_{3,4}$ [mm]	4
D_1 [mm]	≈ 464		



Mating dimensions

$d_{a, \min}$ [mm]	395
$D_{a, \max}$ [mm]	505
$r_{a, \max}$ [mm]	3
$r_{b, \max}$ [mm]	3

Calculation data

C [kN]	3660
C_0 [kN]	12100
C_u [kN]	1074