

NNU6980M

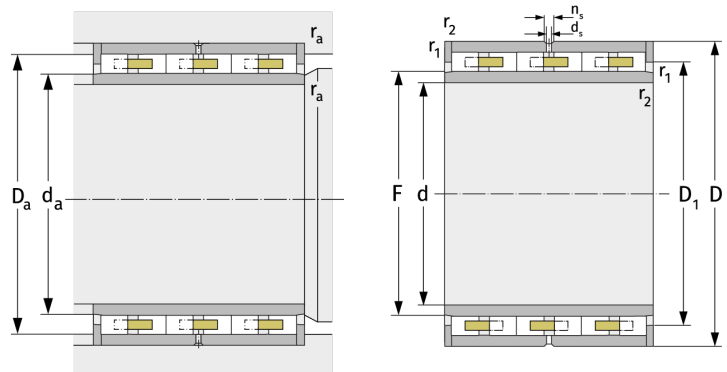
Cylindrical Roller Bearings (multi row, with cage)



Details:

Main dimensions

d [mm]	400	d_s [mm]	6.3
D [mm]	540	n_s [mm]	12.2
B [mm]	250	$r_{1,2}$ [mm]	4
Weight [kg]	≈ 172	$r_{3,4}$ [mm]	4
F [mm]	445.9	s [mm]	7
D_1 [mm]	≈ 490.7		



Mating dimensions		Calculation data	
$d_{a, \min}$ [mm]	441	C [kN]	2590
$D_{a, \max}$ [mm]	525	C_0 [kN]	7800
$r_{a, \max}$ [mm]	3	C_u [kN]	681
$r_{b, \max}$ [mm]	3	n_g [min^{-1}]	1100