

# NNU6980V

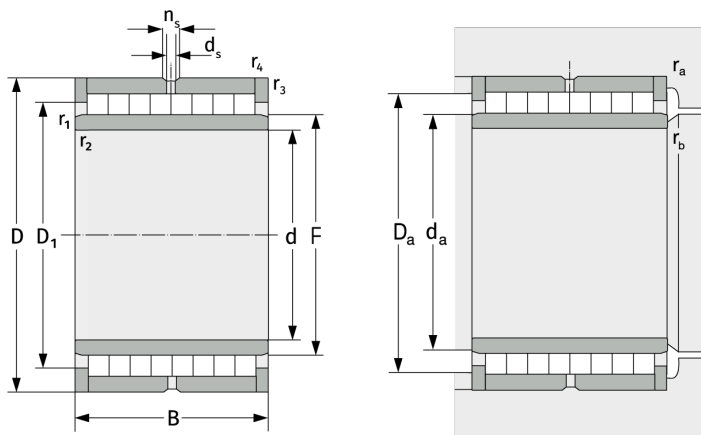
Cylindrical Roller Bearings (full complement, multi row)



## Details:

### Main dimensions

d [mm]	400	$d_s$ [mm]	6.3
D [mm]	540	$n_s$ [mm]	12.2
B [mm]	250	$r_{1,2}$ [mm]	4
Weight [kg]	≈ 180	$r_{3,4}$ [mm]	4
$D_1$ [mm]	≈ 490.7		



### Mating dimensions

$d_{a, \min}$ [mm]	415
$D_{a, \max}$ [mm]	525
$r_{a, \max}$ [mm]	3
$r_{b, \max}$ [mm]	3

### Calculation data

C [kN]	3780
$C_0$ [kN]	12800
$C_u$ [kN]	1118