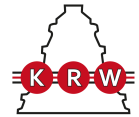


# NU1014M3

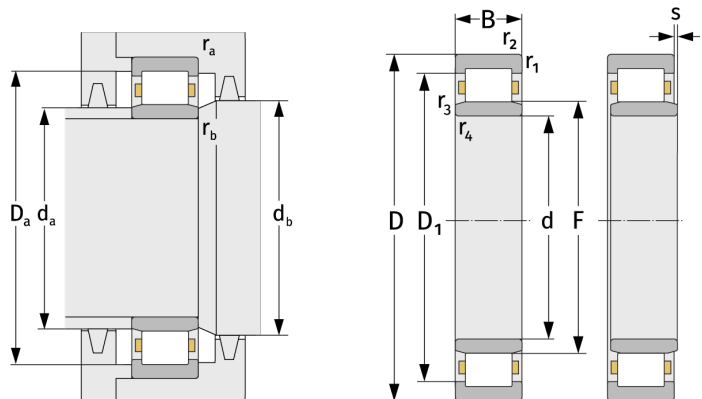
Cylindrical Roller Bearings (single row, with cage)



## Details:

### Main dimensions

d [mm]	70	$D_1$ [mm]	≈ 96
D [mm]	110	$r_{1,2}$ [mm]	1.1
B [mm]	20	$r_{3,4}$ [mm]	1
F [mm]	80	s [mm]	3



### Mating dimensions

$d_{a, \min}$ [mm]	76
$d_{a, \max}$ [mm]	78
$d_{b, \min}$ [mm]	82
$D_{a, \max}$ [mm]	104
$r_{a, \max}$ [mm]	1
$r_{b, \max}$ [mm]	1

### Calculation data

C [kN]	62.8
$C_0$ [kN]	77.5
$C_u$ [kN]	10.2
$n_{th}$ [ $\text{min}^{-1}$ ]	5575
$n_g$ [ $\text{min}^{-1}$ ]	8200