

# NU1819M3

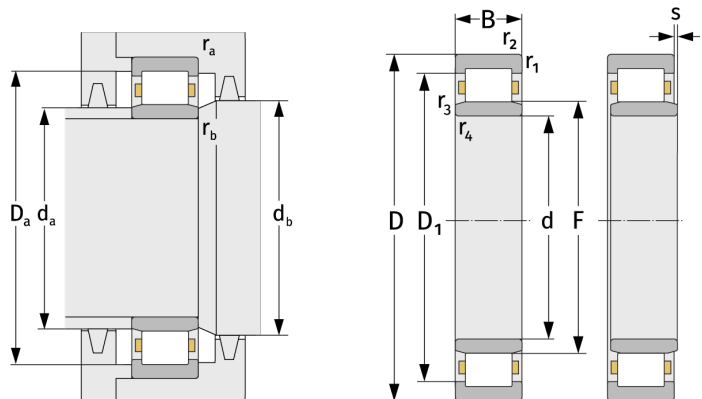
Cylindrical Roller Bearings (single row, with cage)



## Details:

### Main dimensions

d [mm]	95	$D_1$ [mm]	$\approx 111.9$
D [mm]	120	$r_{1,2}$ [mm]	1
B [mm]	13	$r_{3,4}$ [mm]	0.6
F [mm]	101.5	s [mm]	2.1



### Mating dimensions

$d_{a, \min}$ [mm]	99.6
$d_{a, \max}$ [mm]	100
$d_{b, \min}$ [mm]	104
$D_{a, \max}$ [mm]	115.4
$r_{a, \max}$ [mm]	1
$r_{b, \max}$ [mm]	0.6

### Calculation data

C [kN]	38.3
$C_0$ [kN]	59.8
$C_u$ [kN]	7.96
$n_{th}$ [ $\text{min}^{-1}$ ]	3616
$n_g$ [ $\text{min}^{-1}$ ]	6800