

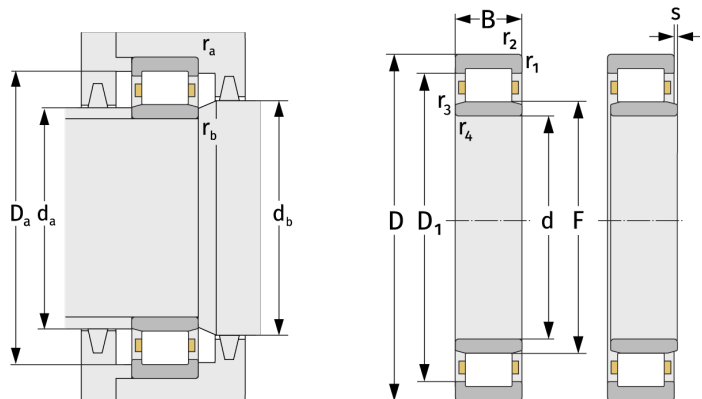
NU2015E.M3

Cylindrical Roller Bearings (single row, with cage)



Details:

Main dimensions			
d [mm]	75	D ₁ [mm]	≈ 102.1
D [mm]	115	r _{1,2} [mm]	1.1
B [mm]	24	r _{3,4} [mm]	1
Weight [kg]	≈ 0.89	s [mm]	2
F [mm]	84.5		



Mating dimensions		Calculation data	
d _{a,min} [mm]	81	C [kN]	98.5
d _{a,max} [mm]	83	C ₀ [kN]	132
d _{b,min} [mm]	86	C _u [kN]	17.3
D _{a,max} [mm]	109	n _{th} [min ⁻¹]	4896
r _{a,max} [mm]	1	n _g [min ⁻¹]	7700
r _{b,max} [mm]	1		